

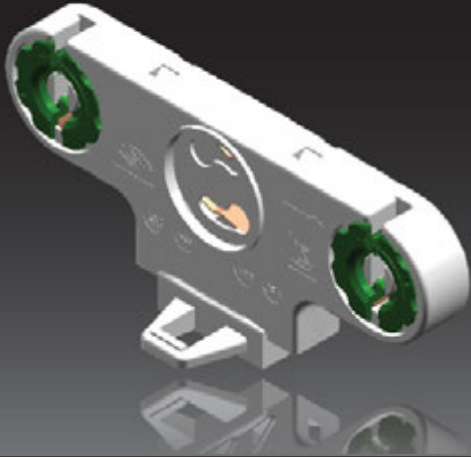


**SIRIJAYA**  
INDUSTRIES SDN. BHD.



## T8 FLUORESCENT TWIN LAMPHOLDER - 5 SERIES

**S-544**



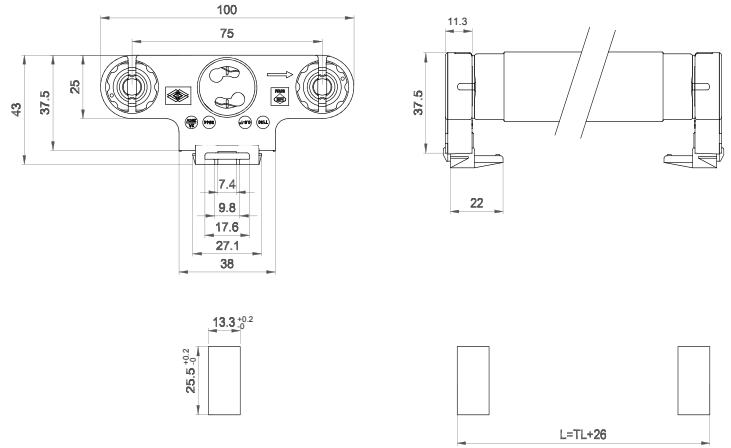
G13

2A/500V

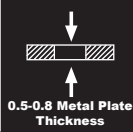
T110

20G

400PCS



Push-through Fixing



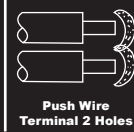
0.5-0.8 Metal Plate Thickness



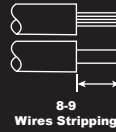
PBT 45°



0.5-1 Rigid Conductor



Push Wire Terminal 2 Holes

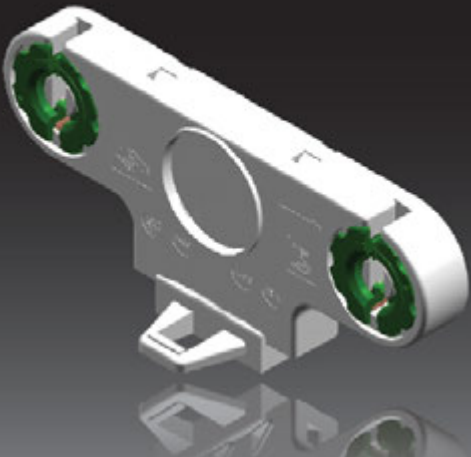


8-9 Wires Stripping

### IP20 TWIN LAMPHOLDER

- Polycarbonate body & PBT Rotor
- Max. permissible temperature T110°C at the rear and front portion of the lampholders.

**S-545**



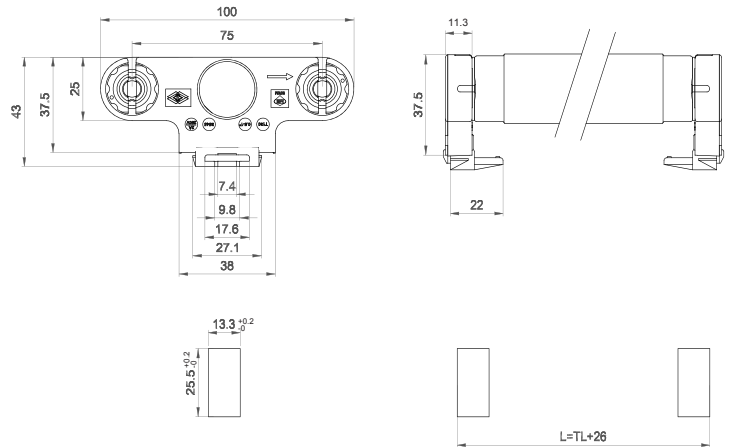
G13

2A/500V

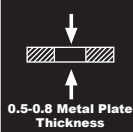
T110

20G

400PCS



Push-through Fixing



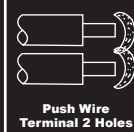
0.5-0.8 Metal Plate Thickness



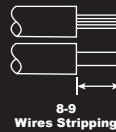
PBT 45°



0.5-1 Rigid Conductor



Push Wire Terminal 2 Holes



8-9 Wires Stripping

### IP20 TWIN LAMPHOLDER

- Polycarbonate body & PBT Rotor
- Max. permissible temperature T110°C at the rear and front portion of the lampholders.



**SIRIJAYA**  
INDUSTRIES SDN. BHD.

No.9 Lebuhr Perusahaan Klebang 9, IGB International Industrial Park, 31200 Chemor, Perak Darul Ridzuan, Malaysia.  
Tel: +605- 292 3888 (Hunting Line) 291 2223 - 291 2228 Fax +605-291 2221, 291 2222 [www.sirijaya.com](http://www.sirijaya.com)