

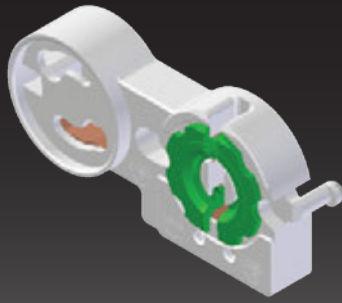


SIRIJAYA
INDUSTRIES SDN. BHD.



T8 FLUORESCENT LAMPHOLDER - 7 SERIES

S-730



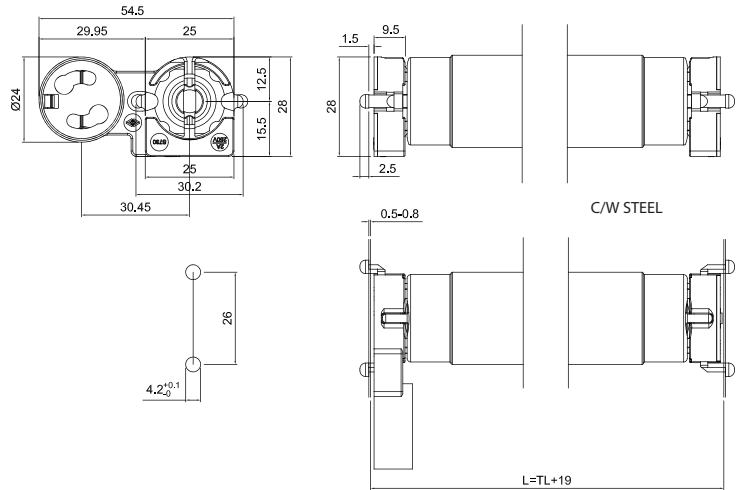
G13

2A/500V

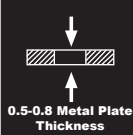
T110

8G

1200PCS



Fixed back
Mounting



0.5-0.8 Metal Plate
Thickness



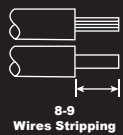
PBT
45



0.5-1
Rigid Conductor



Push Wire
Terminal 2 Holes

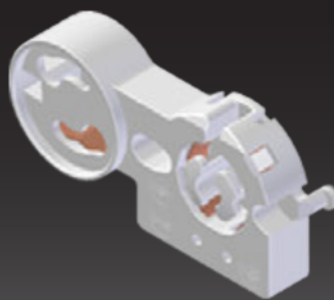


8-9
Wires Stripping

IP20 LAMPHOLDER

- Polycarbonate body & PBT Rotor
- Max. permissible temperature T110°C at the rear and front portion of the lampholders.

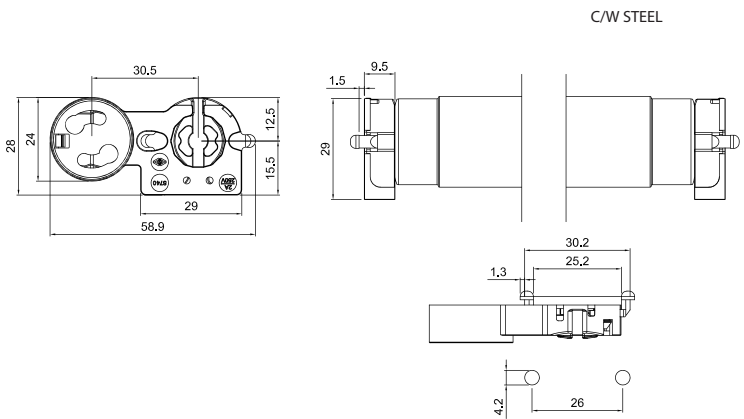
S-740



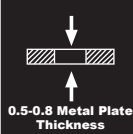
G13

2A/500V

T110



Fixed back
Mounting



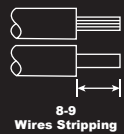
0.5-0.8 Metal Plate
Thickness



0.5-1
Rigid Conductor



Push Wire
Terminal 2 Holes



8-9
Wires Stripping

IP20 LAMPHOLDER

- Polycarbonate body
- Max. permissible temperature T110°C at the rear and front portion of the lampholders.



SIRIJAYA
INDUSTRIES SDN. BHD.

No.9 Lebuhr Perusahaan Klebang 9, IGB International Industrial Park, 31200 Chemor, Perak Darul Ridzuan, Malaysia.
Tel: +605- 292 3888 (Hunting Line) 291 2223 - 291 2228 Fax +605-291 2221, 291 2222 www.sirijaya.com