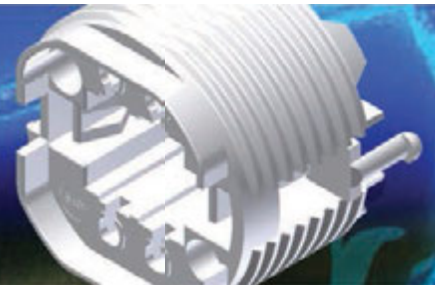




**SIRIJAYA**  
INDUSTRIES SDN. BHD.



## COMPACT FLUORESCENT LAMPHOLDER - 8 Series

### S-831-d2

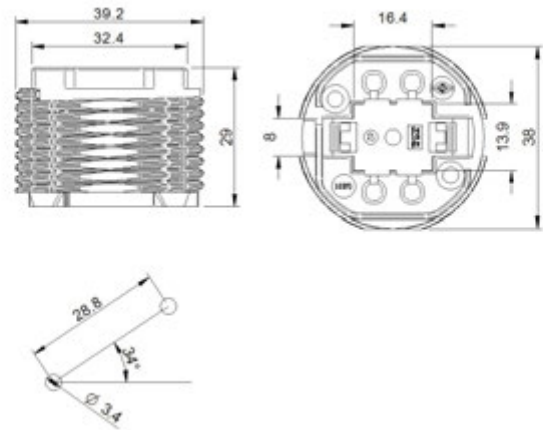


G24/GX24

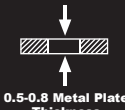
2A/500V

T140

18W



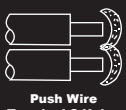
Screw-in Fixing



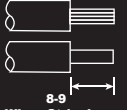
0.5-0.8 Metal Plate Thickness



0.5-1 Rigid Conductor



Push Wire Terminal 2 Holes



8-9 Wires Stripping

#### IP20 LAMPHOLDER

- PBT Body
- Max. permissible temperature : T140°C
- Contact 2 pin

### S-831-d3

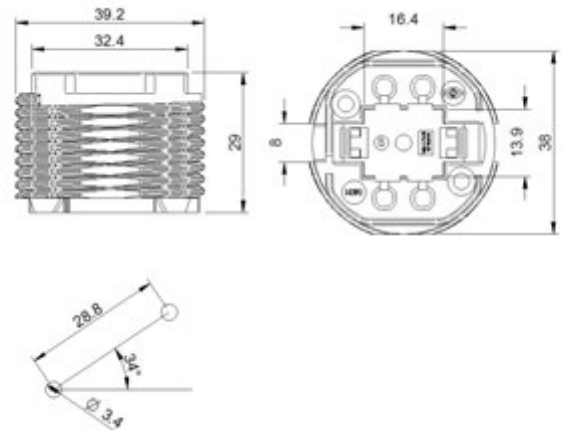


G24/GX24

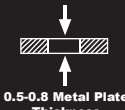
2A/500V

T140

26W



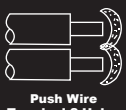
Screw-in Fixing



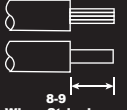
0.5-0.8 Metal Plate Thickness



0.5-1 Rigid Conductor



Push Wire Terminal 2 Holes



8-9 Wires Stripping

#### IP20 LAMPHOLDER

- PBT Body
- Max. permissible temperature : T140°C
- Contact 2 pin



**SIRIJAYA**  
INDUSTRIES SDN. BHD.

No.9 Lebuhr Perusahaan Klebang 9, IGB International Industrial Park, 31200 Chemor, Perak Darul Ridzuan, Malaysia.  
Tel: +605- 292 3888 (Hunting Line) 291 2223 - 291 2228 Fax +605-291 2221, 291 2222 [www.sirijaya.com](http://www.sirijaya.com)