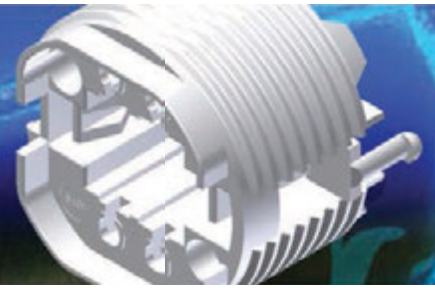




SIRIJAYA
INDUSTRIES SDN. BHD.



COMPACT FLUORESCENT LAMPHOLDER - 8 Series

S-831-d

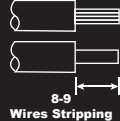
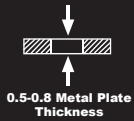
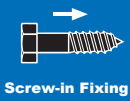
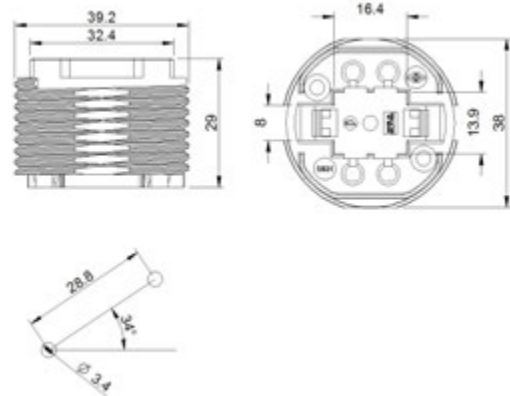


G24/GX24

2A/500V

T140

10W/13W/
18W/26W



IP20 LAMPHOLDER

- PBT Body
- Max. permissible temperature : T140°C
- Contact 2 pin

S-831-d1

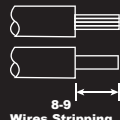
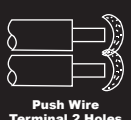
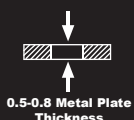
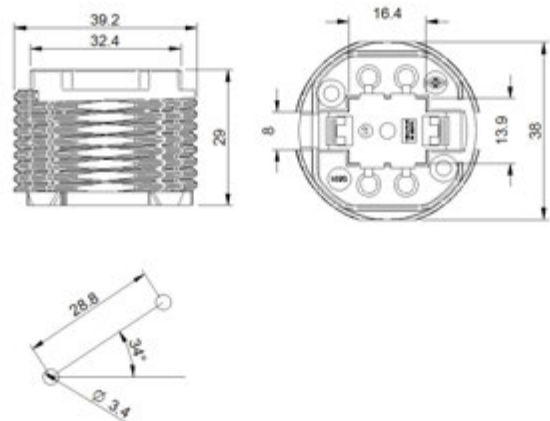


G24/GX24

2A/500V

T140

10W-13W



IP20 LAMPHOLDER

- PBT Body
- Max. permissible temperature : T140°C
- Contact 2 pin



SIRIJAYA
INDUSTRIES SDN. BHD.

No.9 Lebuhr Perusahaan Klebang 9, IGB International Industrial Park, 31200 Chemor, Perak Darul Ridzuan, Malaysia.
Tel: +605- 292 3888 (Hunting Line) 291 2223 - 291 2228 Fax +605-291 2221, 291 2222 www.sirijaya.com