



Your partner in lighting technology

# PLUTO LED

## SL 189 Downlight Series



### Features & Benefits

Designed for recess mounting ceiling with better glare control. Tool free assembly, simple as push and rotate.



### Application

Ideal for commercial building, offices, conference room, classroom, shops & etc.

### Optics

Reflector Material	Aluminium Reflector
Beam Angle	60°/90°

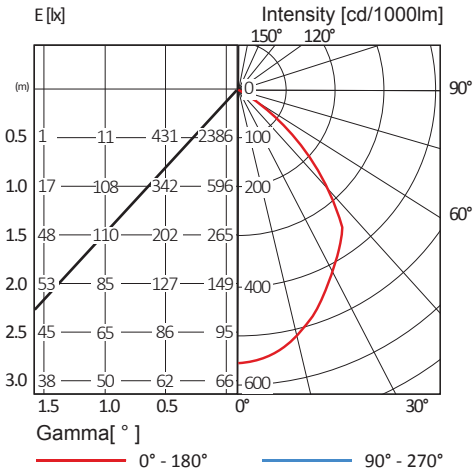
### Luminaire Product Description

Mounting	Recessed
Housing Material	Aluminium
Power Supply	220-240V 50/60Hz
Operating Temperature	-20°...+40°C
Power Factor	0.90
Total Harmonic Distortion	≤20%
Ingress Protection	IP20
Insulation Classification	Class II
Life Cycle	50,000hrs

### Control

*Dimming Option	Fixed Output
-----------------	--------------

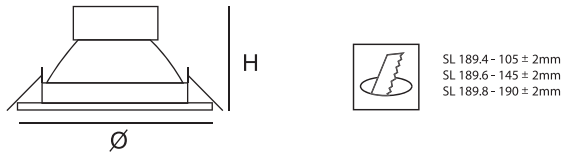
# Photometric



# TM5 Utilization Factors

Utilization factors			Room index								
Room reflection											
C	W	F	0.75	1	1.25	1.5	2	2.5	3	4	5
0.7	0.5	0.2	76	84	90	94	99	102	104	107	109
	0.3		71	79	85	89	95	98	101	104	107
	0.1		67	75	81	86	92	96	98	102	105
0.5	0.5	0.2	75	82	88	91	96	99	101	103	105
	0.3		70	78	83	87	93	96	98	101	103
	0.1		67	74	80	84	90	93	96	99	101
0.3	0.5	0.2	74	81	86	89	93	96	98	100	101
	0.3		70	77	82	86	91	93	95	98	100
	0.1		66	74	79	83	88	91	94	97	98
0.0	0.0	0.0	64	71	77	81	85	88	90	92	94
			SHR NOM=1.50			SHR MAX=1.51			SHR MAX		
			TR=1.71								

# Dimension



# Accessories



Trim Ring

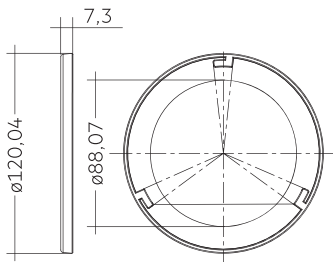
# Reflector



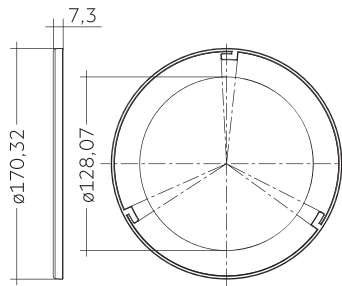
REFLECTOR 60D



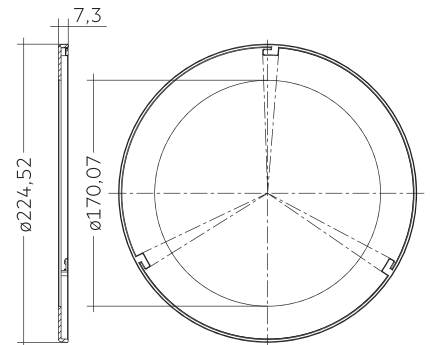
REFLECTOR 90D



TRIM RING 100MM WHITE



TRIM RING 150MM WHITE



TRIM RING 200MM WHITE

# Order Information

Model No.	Dimension (Ø xH) (mm)	Driver Model	Light Source Model	CRI & CCT	Nominal Power (W)	Nominal System Lumen Output (lm)	Nominal System Efficacy (lm/W)
SL 189.4	120x85	Tridonic DLA ECG	Tridonic DLA	830/840/865	10	1110	111
SL 189.6	170x115				10	1120	112
					20	2210	111
SL 189.8	225x135				20	2250	113
					30	3180	106

Note : Subject to +/- 1.5mm

\*Other various types are available upon request.