



Your partner in lighting technology

PLUTO LED

SL 195 / SL 196 Downlight Series



Features & Benefits

Designed for recessed mounted with high performance led light source. Provides optimal light distribution and energy savings.



Application

Ideal for commercial building, lobby, conventional hall, ballroom and etc.

Optics

Reflector Material	Aluminium
Diffuser Material	Clear or Frosted Glass

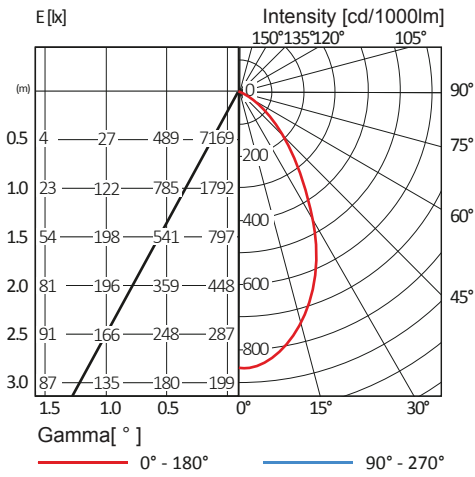
Luminaire Product Description

Mounting	Recessed
Housing Material	Aluminium
Power Supply	220-240V 50/60Hz
Operating Temperature	40°C
Power Factor	0.9
Total Harmonic Distortion	<20%
Ingress Protection	IP20
Insulation Classification	Class I
Life Cycle	30,000 / 50,000hrs

Control

*Dimming Option	Fixed Output / 1-10V
-----------------	----------------------

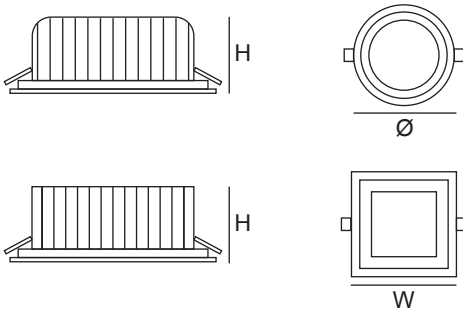
Photometric



TM5 Utilization Factors

Utilization factors			LOR=100.0%			DLOR=100.0%			ULOR=0.0%		
Room reflection			Room index								
C	W	F	0.75	1	1.25	1.5	2	2.5	3	4	5
0.7	0.5	0.2	75	83	89	93	98	101	103	106	108
	0.3		69	78	84	88	94	97	100	104	106
0.5	0.1	0.2	65	74	80	84	90	94	97	101	104
	0.3		74	81	87	90	95	98	100	103	104
0.3	0.1	0.2	65	73	79	83	88	92	95	98	101
	0.3		72	80	85	88	92	95	97	99	100
0.0	0.1	0.0	68	76	81	84	89	92	94	97	99
	0.3		64	73	78	82	87	90	93	96	98
0.0	0.0	0.0	63	70	75	79	84	87	89	91	93
			SHR NOM=1.00			SHR MAX=1.15			SHR MAX		
			TR=1.18								

Dimension



SL 195.3 - 90mm ± 2mm
 SL 195.4 - 110mm ± 2mm
 SL 195.6 - 145mm ± 2mm
 SL 195.8 - 200mm ± 2mm

SL 196.3 - 90x90mm ± 2mm
 SL 196.4 - 110x110mm ± 2mm
 SL 196.6 - 145x145mm ± 2mm
 SL 196.8 - 200x200mm ± 2mm

Order Information

Model No.	Dimension (Ø xH) (LxWxH) (mm)	Driver Model	Light Source Model	CRI & CCT	Nominal Power (W)	Nominal System Lumen Output (lm)	Nominal System Efficacy (lm/W)		
SL 195.3 RD	110x59	VS / Philips	VS COB	830/ 840/ 857	5	560	112		
					9	870	96		
					11	1250	113		
					14	1400	100		
SL 195.4 RD	127x70				19	2100	110		
					24	2400	100		
					SL 195.6 RD	164x81	27	2900	107
							32	3250	101
SL 195.8 RD	220x90				34	4150	122		
					41	4650	113		
					49	5500	112		
					53	6000	113		
SL 196.3 SQ	110x110x59				5	560	112		
					9	840	93		
					11	1300	118		
					14	1450	103		
SL 196.4 SQ	127x127x70	19	2000	105					
		24	2500	104					
		27	3100	114					
		32	3200	100					
SL 196.6 SQ	164x164x81	34	4100	120					
		41	4600	112					
		49	6000	122					
		53	6400	120					
SL 196.8 SQ	220x220x90								

Note : Subject to +/- 1.5mm

Other various types are available upon request.