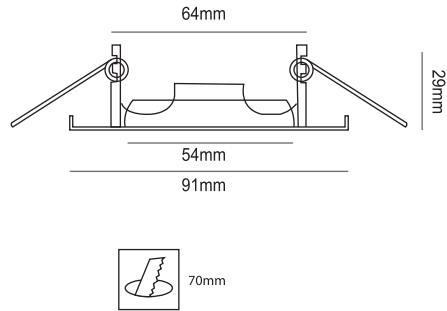


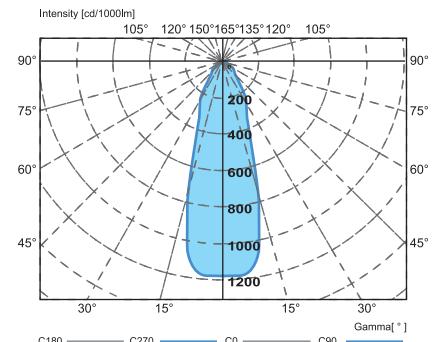


Adjustable Pivot recessed downlight for halogen lamp. Suitable for offices, commercial halls, museums, galleries, exhibitions, etc.



TM5 Utilization Factors

Utilization factors			LOR =67.4% DLOR =67.4% ULOR =0.0%								
Room reflection			Room index								
C	W	F	0.75	1	1.25	1.5	2	2.5	3	4	5
0.7	0.5	0.2	51	57	60	63	66	69	70	72	73
	0.3		48	53	57	60	64	66	68	70	72
0.5	0.1	0.2	45	51	54	57	61	64	66	69	70
	0.5		50	56	59	61	64	66	68	69	70
0.3	0.3	0.2	47	52	56	59	62	64	66	68	69
	0.1		45	50	54	56	60	63	64	67	68
0.0	0.5	0.2	50	54	58	60	63	64	65	67	68
	0.3		47	52	55	58	61	63	64	66	67
0.0	0.1	0.0	44	50	53	56	59	61	63	65	66
	0.0		43	48	52	54	57	59	60	62	63
			SHR NOM =0.50			SHR MAX =0.67			SHR MAX		
			TR =0.67								



Technical Data

Photometry constructed by own Goniophotometer accurately measure the intensity distribution LOR, photometric factors and lumen per watt of light fittings. Photometry result or data are available for interior lux calculation upon requisition.

Body & Ring	Made of compress cold rolled steel.
Paintwork	Coated with a high gloss white/black epoxy polyester powder, giving resilient finish.
Light Source	Halogen bulb 35W/50W.
Electrical Data	240V, 50Hz
Transformer	12V 35W/50W
Lampholder	GU5.3
Optional Light Source	LED MR16 is compatitble and replaceable.

Dimensions

MODEL NO.	COLOR
PLUTO 800.035	WHITE
PLUTO 800.035	SILVER
PLUTO 800.035	GOLD

MODEL NO.	COLOR
PLUTO 800.050	WHITE
PLUTO 800.050	SILVER
PLUTO 800.050	GOLD



Note : Subject to +/- 1.5mm

*SJ Lite reserves the right to change and amend the specification without prior notice.

