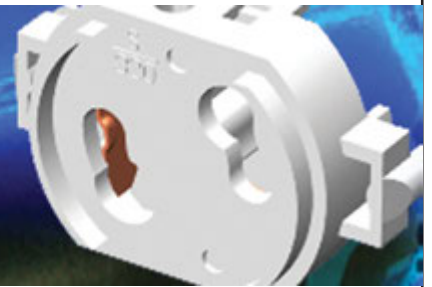


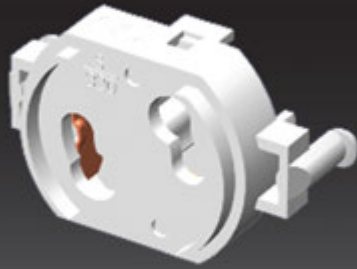


**SIRIJAYA**  
INDUSTRIES SDN. BHD.



## FLUORESCENT STARTER HOLDER - 3 SERIES

**S-320**

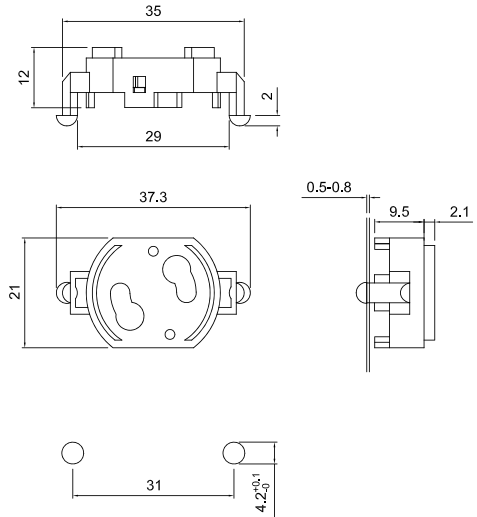


2A/250V

T110/  
Tm110

3G

3500PCS



Push-in Fixing



0.5-0.8 Metal Plate Thickness



0,5-1 Rigid Conductor



Push Wire Terminal 1 Holes

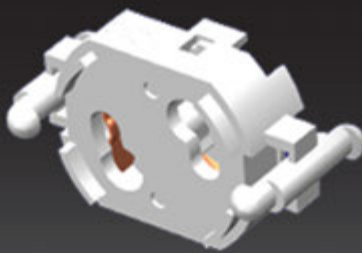


8-9 Wires Stripping

### IP20 STARTER HOLDER

- Polycarbonate body
- Max. permissible temperature : T110° C

**S-321**

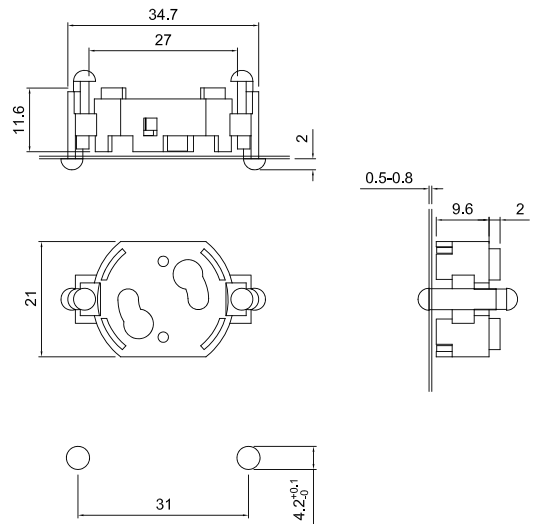


2A/250V

T110/  
Tm110

3G

3000PCS



Push-in Fixing



0.5-0.8 Metal Plate Thickness



0,5-1 Rigid Conductor



Push Wire Terminal 1 Holes



8-9 Wires Stripping

### IP20 STARTER HOLDER

- Polycarbonate body
- Max. permissible temperature : T110° C



**SIRIJAYA**  
INDUSTRIES SDN. BHD.



No.9 Lebuhr Perusahaan Klebang 9, IGB International Industrial Park, 31200 Chemor, Perak Darul Ridzuan, Malaysia.  
Tel: +605- 292 3888 (Hunting Line) 291 2223 - 291 2228 Fax +605-291 2221, 291 2222 [www.sirijaya.com](http://www.sirijaya.com)