

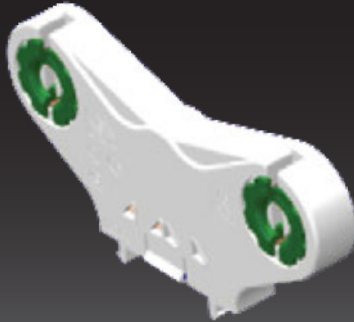


SIRIJAYA
INDUSTRIES SDN. BHD.



T8 FLUORESCENT TWIN LAMPHOLDER - 5 SERIES

S-531



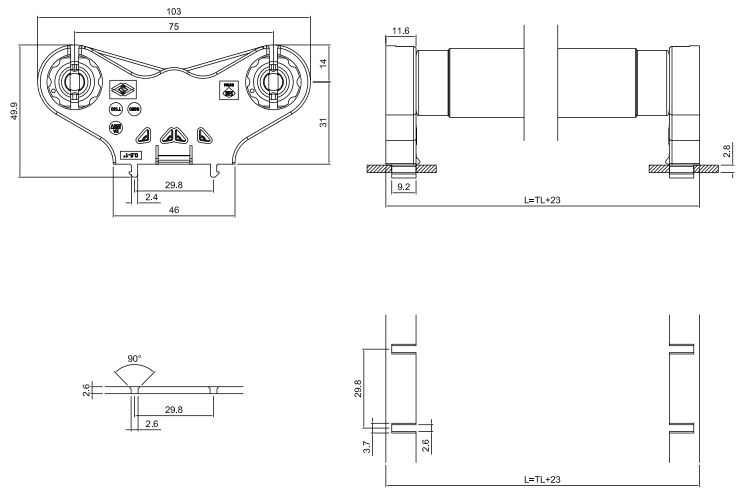
G13

2A/500V

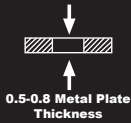
T110

20G

350PCS



Slide-on Fixing



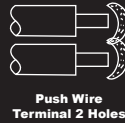
0.5-0.8 Metal Plate Thickness



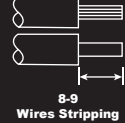
PBT
45°



mm²
0.5-1 Rigid Conductor



Push Wire Terminal 2 Holes



8-9 Wires Stripping

IP20 TWIN LAMPHOLDER

- Polycarbonate body & PBT Rotor
- Max. permissible temperature T110°C at the rear and front portion of the lampholders.



SIRIJAYA
INDUSTRIES SDN. BHD.

No.9 Lebuhr Perusahaan Klebang 9, IGB International Industrial Park, 31200 Chemor, Perak Darul Ridzuan, Malaysia.
Tel: +605- 292 3888 (Hunting Line) 291 2223 - 291 2228 Fax +605-291 2221, 291 2222 www.sirijaya.com