



Your partner in lighting technology

# MARS LED

## SL 504 Street Light Series



### Features & Benefits

High performance LED deliver a high system efficacy of up to 150lm/w. Simple installation, die-cast latches provide easy access to the electrical compartment.



### Application

Ideal for urban roads, residential areas, theme parks, parking lots & etc.

### Optics

Diffuser Material          Polycarbonate

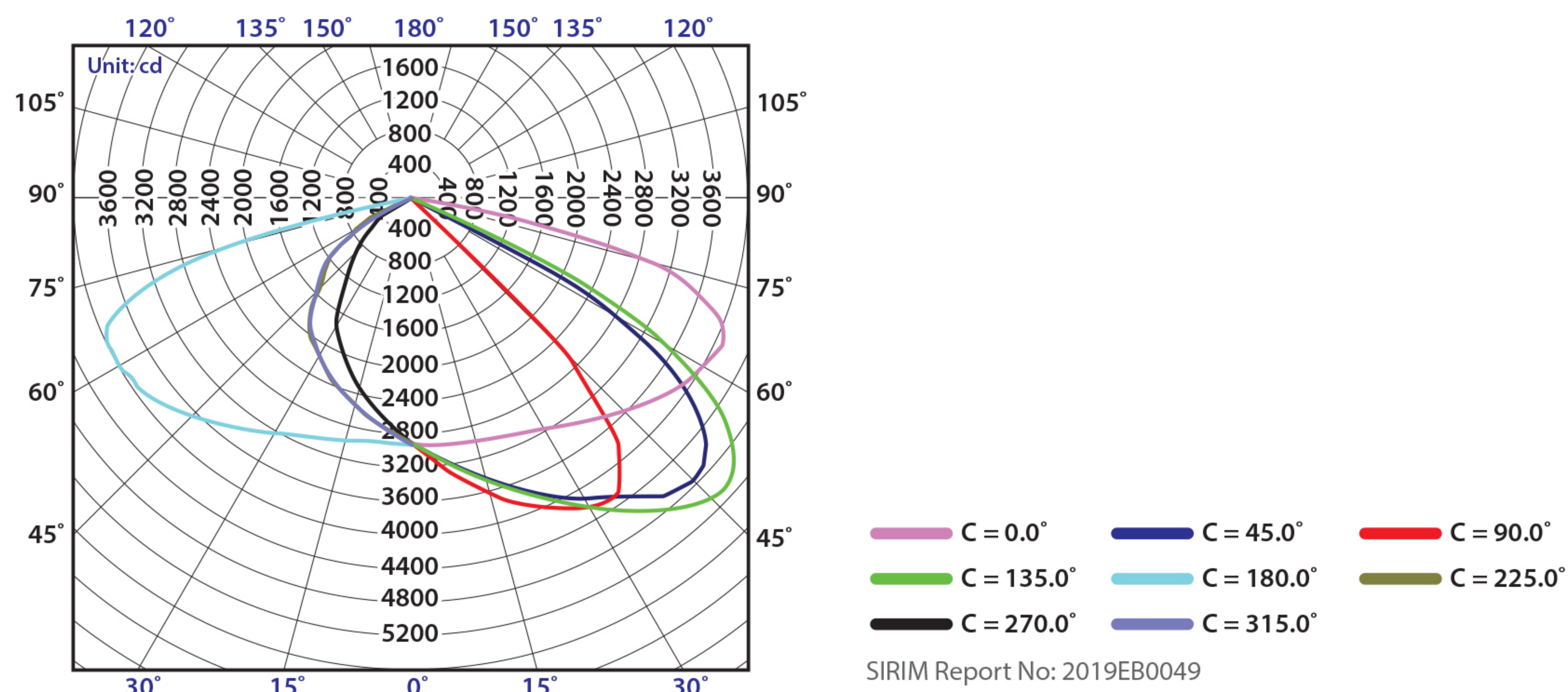
### Luminaire Product Description

Mounting	Side-entry / Post-top
Housing Material	Die-cast Aluminium
Power Supply	240V 50Hz
Operating Temperature	-20°C ~+45°C
Power Factor	0.95
Total Harmonic Distortion	<10%
Ingress Protection	IP66
Insulation Classification	Class I
Life Cycle	50,000hrs

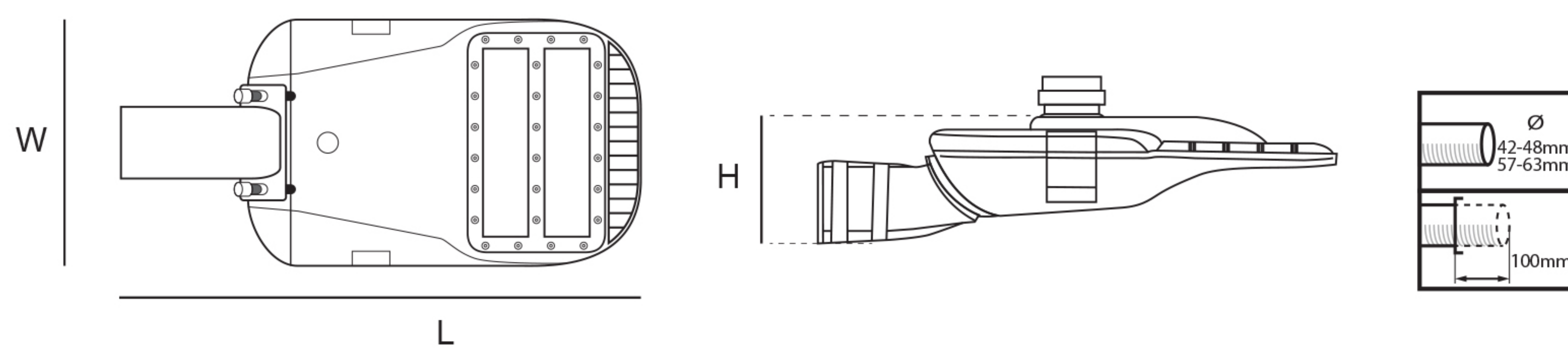
### Control

\*Dimming Option          Fixed Output/Dali/1-10V

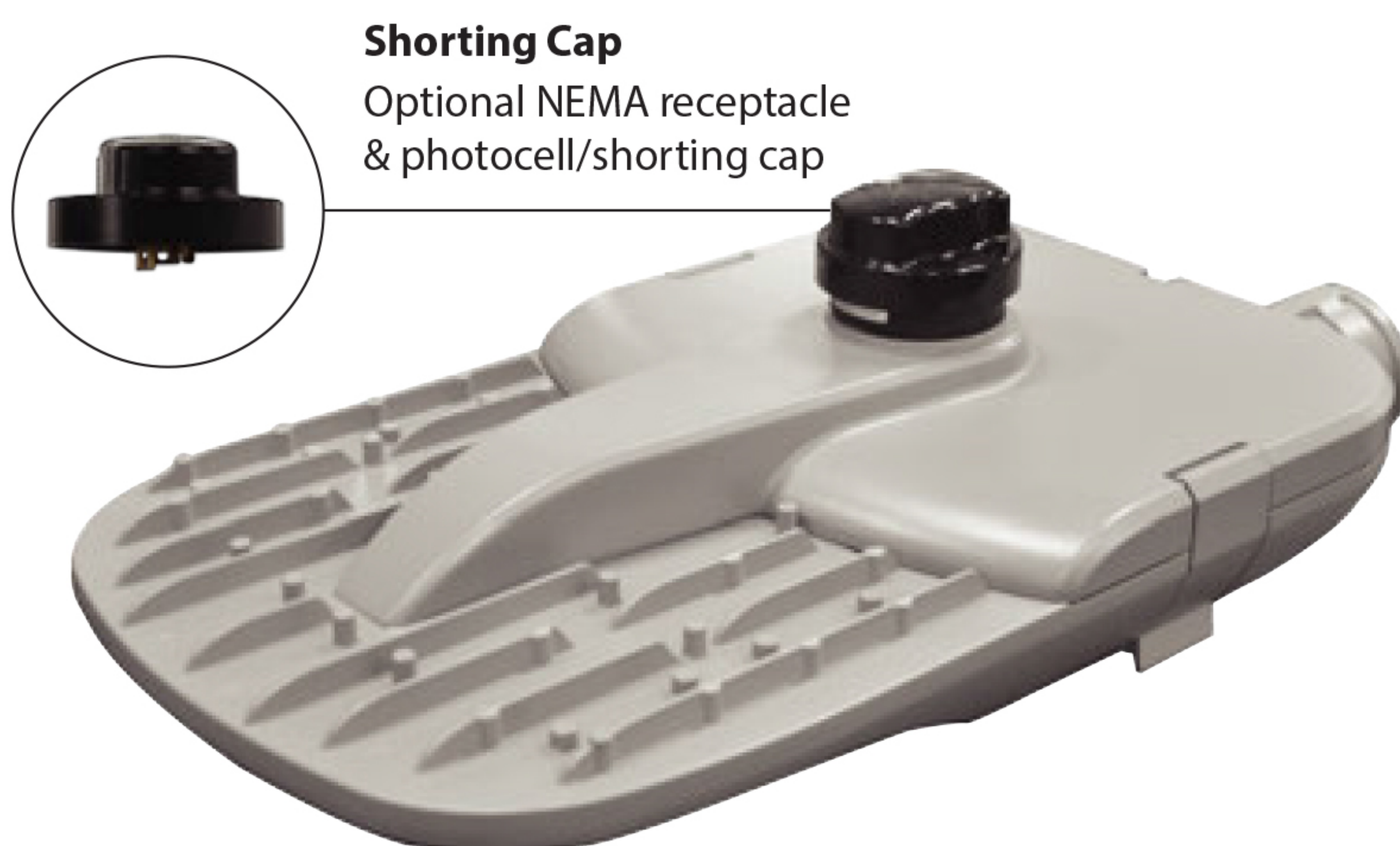
## Photometric



## Dimension



## Accessories



## Order Information

Model No.	Dimension (LxWxH) (mm)	Driver Model	Light Source Model	CRI & CCT	Nominal Power (W)	Nominal System Lumen Output (lm)	Nominal System Efficacy (lm/W)
SL 504.80	585x285x155	Tridonic/Philips/Adayo	Lumileds Luxeon 5050	740	76	11883	156

Note : Subject to +/- 1.5mm

Other various types are available upon request.