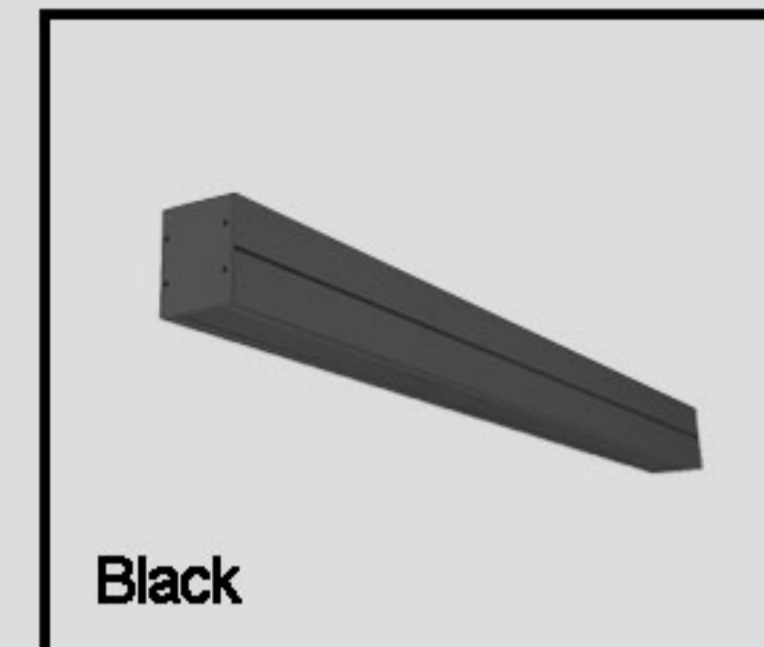




Your partner in lighting technology



ECLIPSE LED

SEF Surface Linear Trunking Series

Features & Benefits

Fixture constructed of an extruded aluminium housing. Clip in frosted diffuser for uniform light distribution. Field adjustable cable hanger can be located at nearly any point along the fixture length. Each trunk can be installed as standalone unit or as modular unit to be assembled continuously with only one end feed. Up to 3m in single piece without joins. Continuous runs fitted with quick connects for simple, efficient wiring. Model variations offered for surface and cable suspended applications. Flexible solution for various application as vary beam optics can be selected.

Luminaire Product Description

| | |
|---------------------------|---------------------|
| Mounting | Pendant |
| Housing Material | Extruded Aluminum |
| Power Supply | 240V 50Hz |
| Operating Temperature | 45°C |
| Power Factor | 0.95 |
| Total Harmonic Distortion | ≤20% |
| Ingress Protection | IP20 |
| Insulation Classification | Class I |
| Life Cycle | 30,000hrs/50,000hrs |

Application

Ideal for offices, schools, commercial, hospital and residential.

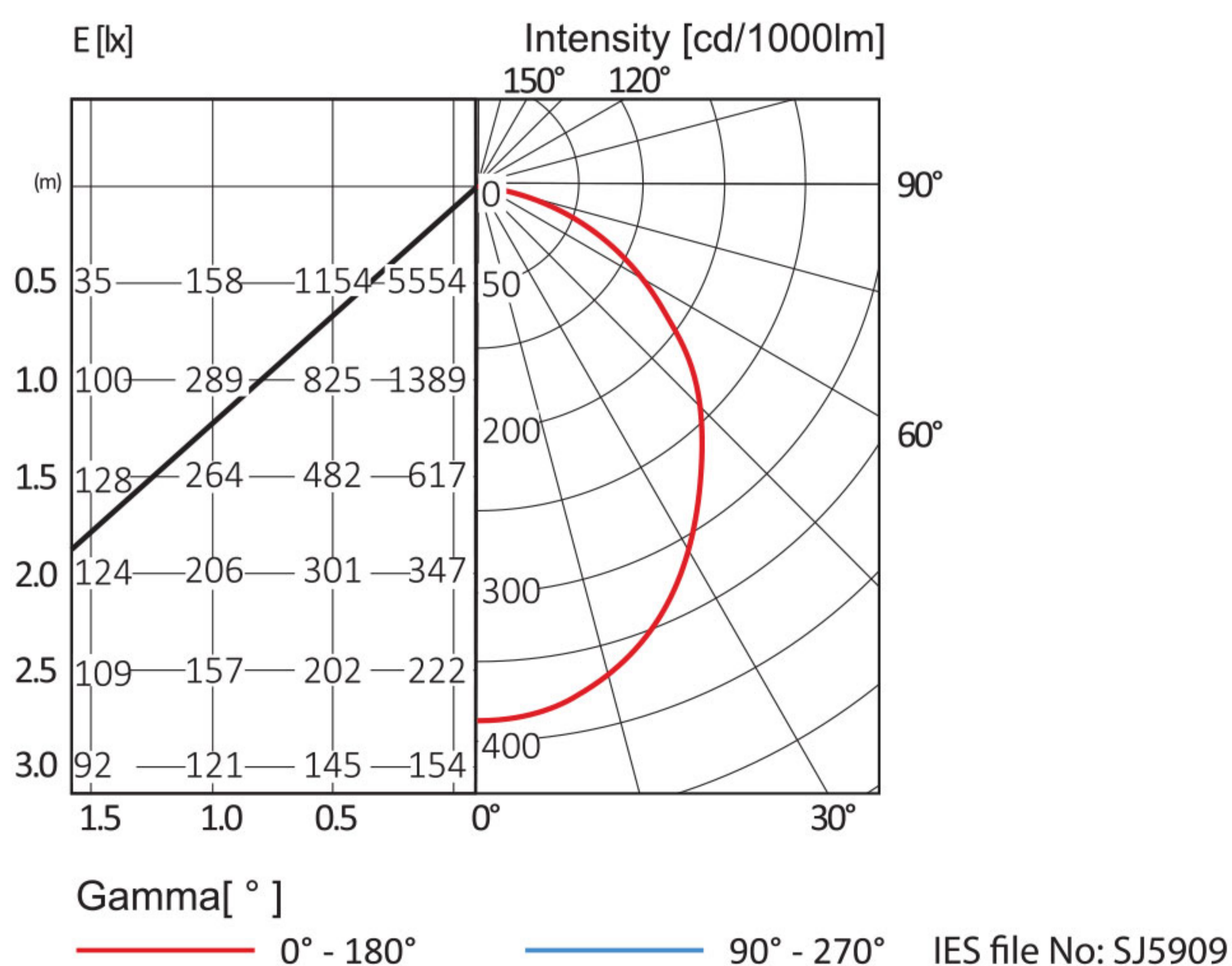
Optics

| | |
|-------------------|---------|
| Diffuser Material | Acrylic |
| Diffuser Pattern | Frosted |

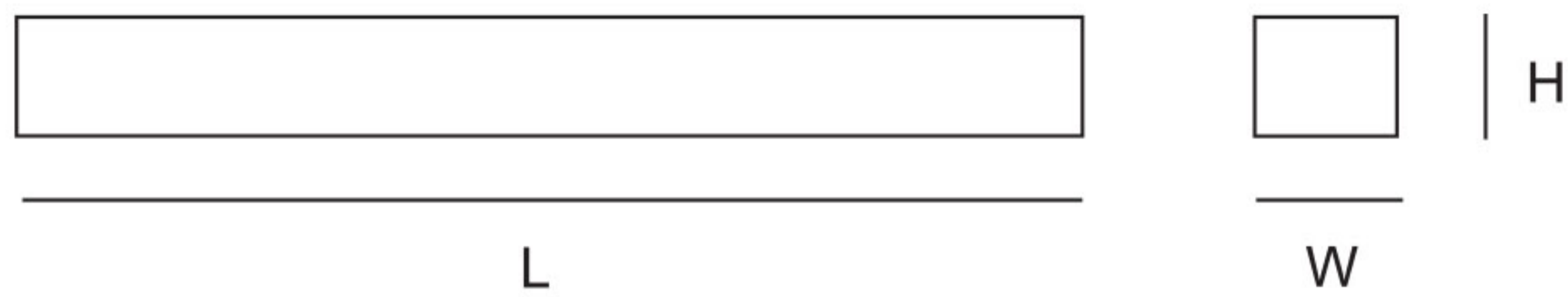
Control

| | |
|-----------------|-------------------------|
| *Dimming Option | Fixed Output/Dali/1-10V |
|-----------------|-------------------------|

Photometric



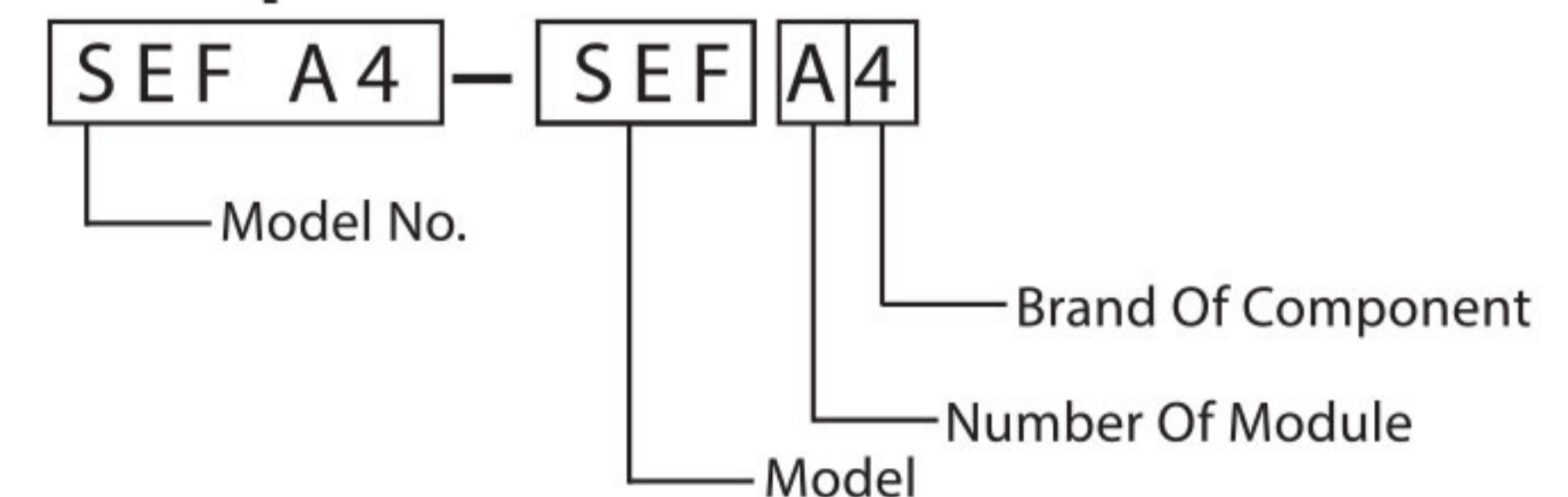
Dimension



Order Reference

| Model | Number Of Module | Brand Of Component |
|-------|---|-----------------------------|
| SEF | A (1 module) B (2 modules) C (3 modules) D (4 modules) E (5 modules) F (6 modules) | 4 - Philips 5 - Tridonic |

Example :



Order Information

| Model No. | Dimension (LxWxH) (mm) | Driver Model | Light Source Model | Module Dimension (WxL) (mm) | Nominal Lumen Per Modules (lm) @25°C | CRI & CCT | Nominal Power (W) | Nominal System Lumen Output (lm) | Nominal System Efficacy (lm/W) |
|-----------|------------------------|--------------|--------------------|-----------------------------|--------------------------------------|-------------|-------------------|----------------------------------|--------------------------------|
| SEF A4 | 568x80x100 | CertaDrive | CertaFlux | 20x560 | 1550 | 830/840/865 | 12 | 1250 | 104 |
| SEF A4 | | | | | 2200 | | 17 | 1800 | 106 |
| SEF B4 | 1128x80x100 | | | | 1550 | | 23 | 2550 | 111 |
| SEF B4 | | | | | 2200 | | 34 | 3550 | 104 |

Note : Subject to +/- 1.5mm

*Other various types are available upon request.

Accessories



Pendant Mounting
Suspension Kits/Chain