

# URANUS LED

## SL 418 Highbay Series

### Features

Die cast aluminium shell coated with polyester powders with high resistance to atmospheric agents and corrosion with mid beam symmetric light distribution. An energy saving replacement for traditional highbay luminaires. Offers longer service lifetime and less maintenance.

### Applications

Ideal for supermarket, factories, warehouse and etc.

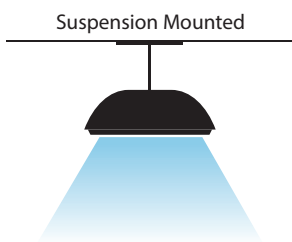
### Optics

Material	Polycarbonate / Clear
Beam Angle	60°/90°/120°

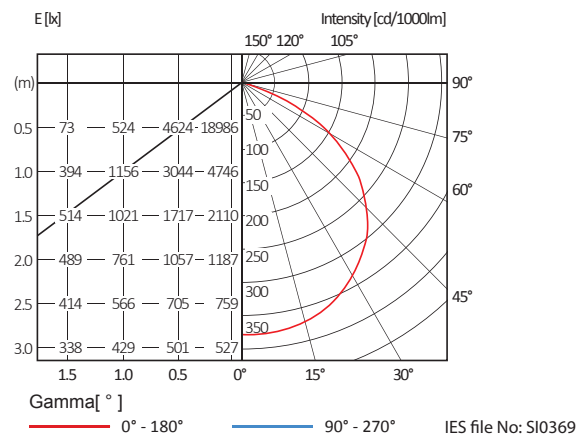
### Optional Features / Accessories

Dali/1-10V Dimming Control

### Mounting



### Lighting Data





## Specifications

Model	SL 418.60	SL 418.100	SL 418.150	SL 418.200
Nominal Power	60 W	100 W	150 W	200 W
Nominal System Lumen Output	7800 lm	12500 lm	19000 lm	26000 lm
Nominal System Efficacy	130 lm/W	125 lm/W	127 lm/W	130 lm/W
LED Driver	Sense/Lifud			
Light Source	Lumileds SMD 2835			
Colour Temperature (CCT)	4000K/5000K/5700K/6500K			
Input Voltage	240V, 50Hz			
Colour Rendering Index (CRI)	>80			
Luminaire Rated Life	50,000hr (L70B50)			
Operating Temperature	-20°C~+45°C			
Power Factor	0.9PF			
Total Harmonic Distortion	≤20%			
Insulation Class	Class I			
Housing Material	Die Cast Aluminum			
Ingress Protection	IP65			

## Order Reference

Model	Wattage
SL 418	60
	100
	150
	200

**Example :** SL 418.60 — SL 418 | 60  
 ———— Model ———— Wattage

## Order Information

Model No.	Ø (mm)	H(mm)
SL 418.60	230	122
SL 418.100	270	125
SL 418.150	330	140
SL 418.200	380	145

Note : Subject to +/- 1.5mm

\*Other various types are available upon request.

## Dimensions

