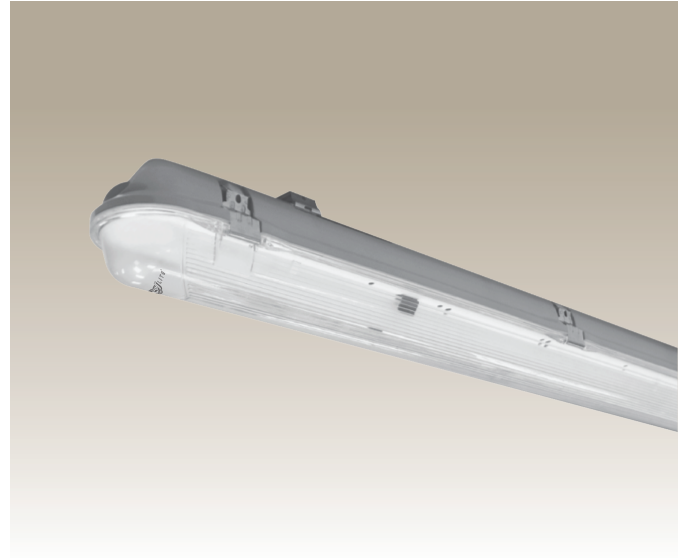


SONIC LED

SCR LED Linear Weatherproof Series

Features

IP 65 weatherproof batten is a durable, robust polycarbonate base and diffuser. Gear tray retaining strap for easy installation and maintenance. Knockout and IP gland supplied for connections and through wiring. Use only fixing brackets supplied, screw should not be used directly through the base.



Applications

Ideal for car parks, loading bays, corridors, warehouses, workshops and laboratories.

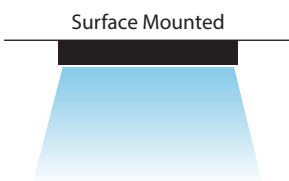
Optics

Diffuser Material	Polycarbonate
Diffuser Pattern	Frosted U Shape

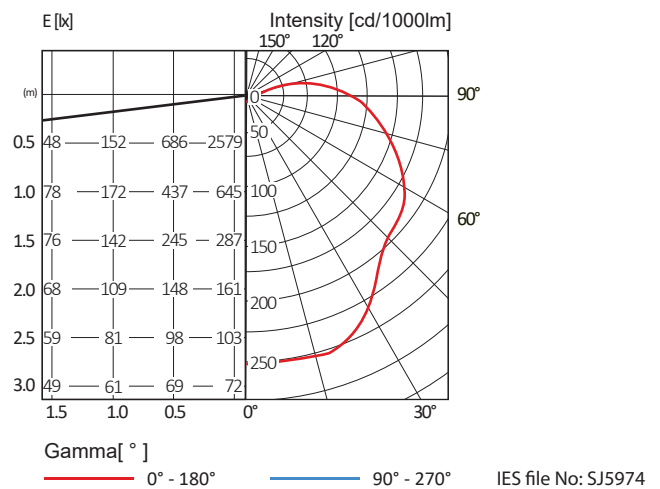
Optional Features / Accessories

Dali/1-10V Dimming Control

Mounting



Lighting Data





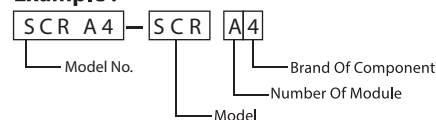
Specifications

Model	SCR A4 120		SCR B4 220		SCR B4 140		SCR D4 240	
Nominal Power	12W	17W	23W	34W	23W	33W	46W	68W
Nominal System Lumen Output	1250 lm	1800 lm	2450 lm	3450 lm	2550 lm	3600 lm	5050 lm	7250 lm
Nominal System Efficacy	104 lm/W	106 lm/W	107 lm/W	101 lm/W	111 lm/W	109 lm/W	110 lm/W	107 lm/W
LED Driver	Philips CertaDrive							
Light Source	Philips CertaFlux							
Colour Temperature (CCT)	3000K/4000K/6500K							
Input Voltage	240V~50Hz							
Colour Rendering Index (CRI)	>80							
Luminaire Rated Life	50,000hrs (L70B50)							
Operating Temperature	-20°C ~ +35°C							
Power Factor	0.95PF							
Total Harmonic Distortion	≤20%							
Insulation Class	Class I							
Housing Material	Polycarbonate							
Ingress Protection	IP65							
Impact Protection	IK08							

Order Reference

Model	Number Of Module	Brand Of Component
SCR	A (1 module) B (2 modules) C (3 modules) D (4 modules)	4 - Philips 5 - Tridonic 7 - Osram

Example :



Order Information

Model No.	L(mm)	W(mm)	H(mm)
SCR A4 120	660	85	87
SCR B4 220	660	134	87
SCR B4 140	1269	85	87
SCR D4 240	1269	134	87

Note : Subject to +/- 1.5mm

*Other various types are available upon request.

Dimensions

