

ECLIPSE LED

SEF Surface/Suspended Mounted
LED Linear Diffused Series

Features

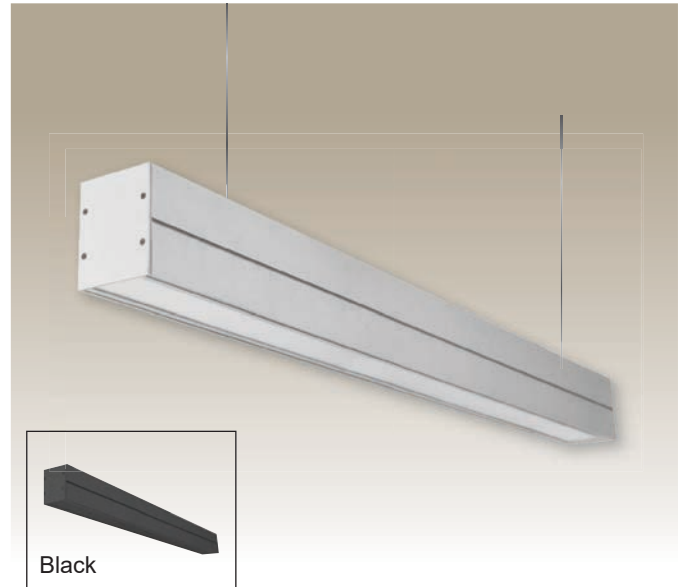
Fixture constructed of an extruded aluminium housing. Clip in frosted diffuser for uniform light distribution. Field adjustable cable hanger can be located at nearly any point along the fixture length. Each trunk can be installed as standalone unit or as modular unit to be assembled continuously with only one end feed. Up to 3m in single piece without joins. Continuous runs fitted with quick connects for simple, efficient wiring. Model variations offered for surface and cable suspended applications. Flexible solution for various application as vary beam optics can be selected.

Applications

Ideal for offices, schools, commercial, hospital and residential

Optics

Diffuser Material	Acrylic
Diffuser Pattern	Frosted



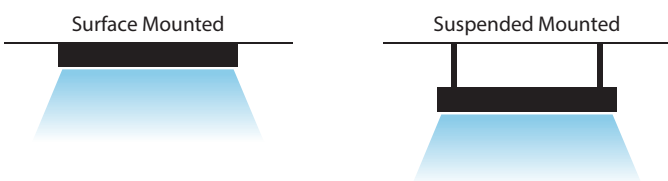
Accessories



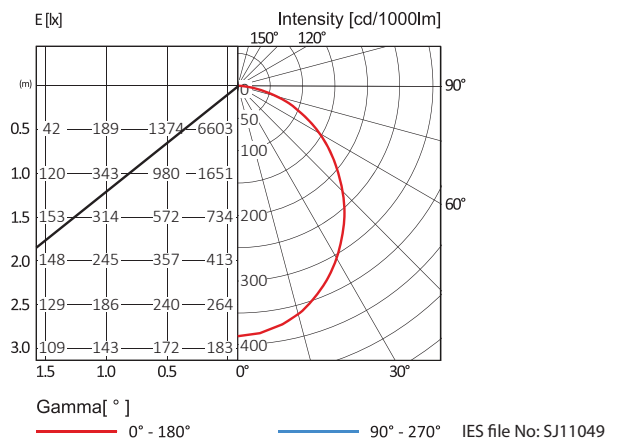
Optional Features / Accessories

Dali/1-10V Dimming Control

Mounting



Lighting Data





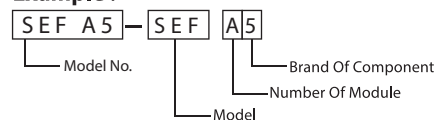
Specifications

Model	SEF A5		SEF B5	
Nominal Power	12W	18W	25W	34W
Nominal System Lumen Output	1510 lm	2050 lm	3240 lm	4280 lm
Nominal System Efficacy	126 lm/W	114 lm/W	130 lm/W	126 lm/W
LED Driver	Tridonic LC			
Light Source	Tridonic LLE			
Colour Temperature (CCT)	3000K/4000K/6500K			
Input Voltage	240V~50Hz			
Colour Rendering Index (CRI)	>80			
Luminaire Rated Life	50,000hrs (L70B50)			
Operating Temperature	-20°C ~ +45°C			
Power Factor	>0.9PF			
Total Harmonic Distortion	≤20%			
Insulation Class	Class I			
Housing Material	Extruded Aluminium			
Ingress Protection	IP20			

Order Reference

Model	Number Of Module	Brand Of Component
SEF	A (1 module) B (2 modules) C (3 modules) D (4 modules)	4 - Philips 5 - Tridonic 7 - Osram

Example :



Order Information

Model No.	L(mm)	W(mm)	H(mm)
SEF A5	568	80	100
SEF B5	1128	80	100

Note : Subject to +/- 1.5mm

*Other various types are available upon request.

Dimensions

