



IEC 60598-2-5
IEC 60598-1
PC015815



NEPTUNE LED

SL 311 Floodlight Series

Features

Design with slim profile and equipped with advanced asymmetric optics. High efficacy of up to 150 lm/W ensures powerful performance. It delivers precise and efficient illumination across a wide range of outdoor application.

Applications

Ideal for recreational sports, exhibition center, shopping mall, stadium, accent lighting & parking lots.

Optics

Material	Polycarbonate Optical Lens, Glass Cover
Beam Angle	55 x 125°

Optional Features / Accessories

Dali/1-10V Dimming Control
Pole Mounting Adaptor
Outrigger Mounting Bracket
Clamp Mount Bracket
Beam Angle : 60°/26 x 60°/25°

Mounting



Bracket Mounted



Pole Mounted



Back

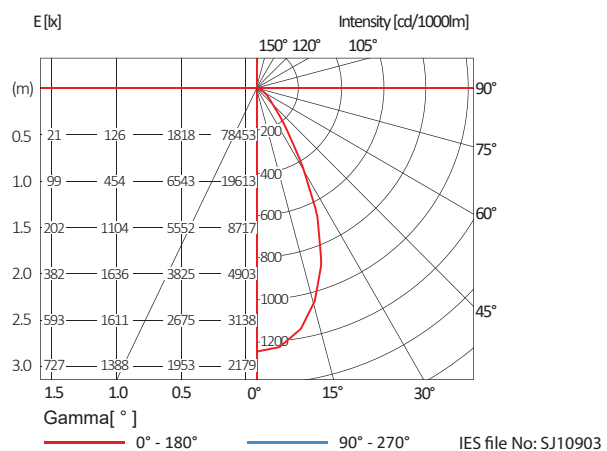


Microwave Sensor (Optional)



Breather Valve

Lighting Data





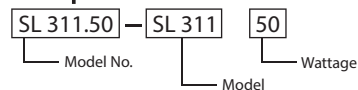
Specifications

Model	SL 311.50	SL 311.100	SL 311.150	SL 311.200	SL 311.240	SL 311.300
Nominal Power	50W	100W	150W	200W	240W	300W
Nominal System Lumen Output	7500 lm	15000 lm	22500 lm	30000 lm	36000 lm	45000 lm
Nominal System Efficacy	150 lm/W					
LED Driver	LIFUD / DONE / SOSEN					
Light Source	Lumileds					
Colour Temperature (CCT)	3000K/4000K/6500K					
Input Voltage	220-240V~50/60Hz					
Colour Rendering Index (CRI)	>80					
Luminaire Rated Life	50,000hrs (L90B10@25°C) & 100,000hrs (L80B20@25°C)					
Operating Temperature	-30°C ~ +45°C					
Power Factor	>0.95PF					
Total Harmonic Distortion	≤20%					
Insulation Class	Class I					
Housing Material	Aluminium Alloy, Steel Plate					
Ingress Protection	IP66					
Impact Protection	IK08					
Weight	1.9 kg	2.8 kg	3.9 kg	5.2 kg	6.3 kg	6.4 kg

Order Reference

Model	Wattage	
SL 311	50	200
	100	240
	150	300

Example :



Order Information

Model No.	L(mm)	W(mm)	H(mm)
SL 311.50	292	245	55
SL 311.50A	292	245	55
SL 311.100	353	287	65
SL 311.150	392	319	70
SL 311.200	447	359	75
SL 311.240	495	419	75
SL 311.300	495	419	75

Note : Subject to +/- 1.5mm

*Other various types are available upon request.

Dimensions

