



IEC 60598-1
IEC 60598-2-1
PS008202



SONIC LED

ECO SFB2 Bare Batten Series

Features

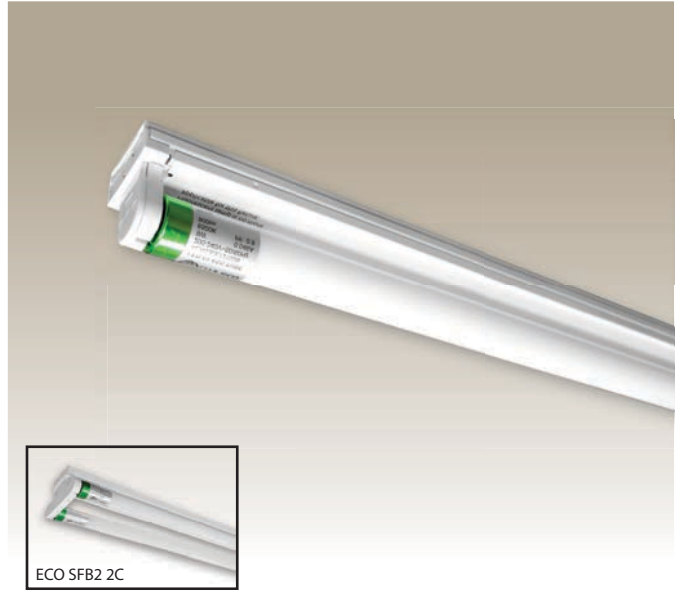
Ultra slim base width with integrated LED Tube. Offering easy of installation and quality of light

Applications

Ideal for indoor general lighting, corridors, staircase, walkway, lift lobby and schools.

Optional Features / Accessories

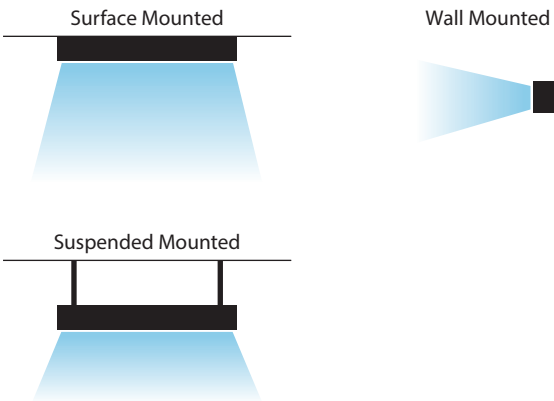
1-10V Dimming Control



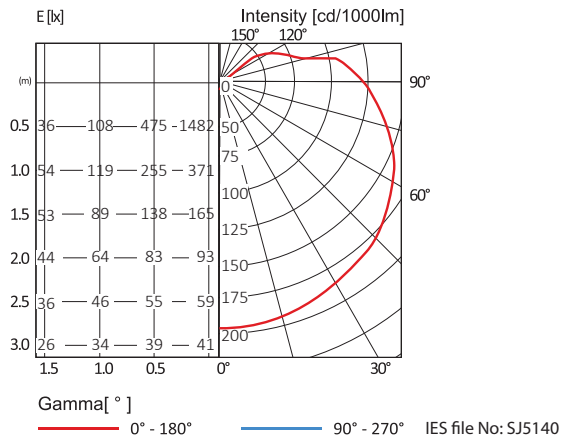
TM5 Utilization Factors

Utilization factors			Room reflection										
Room reflection			LOR=101.1%			DLOR=81.5%			ULOR=19.6%				
C	W	F	0.75	1	1.25	1.5	2	2.5	3	4	5		
0.7	0.5	0.2	N.A.	57	64	69	76	81	84	89	93		
	0.3		N.A.	49	55	61	68	74	78	84	88		
	0.1		N.A.	42	49	54	62	68	72	79	83		
0.5	0.5	0.2	N.A.	53	58	63	69	74	77	82	85		
	0.3		N.A.	46	52	56	63	68	72	77	81		
	0.1		N.A.	40	46	51	58	63	67	73	77		
0.3	0.5	0.2	N.A.	49	54	58	64	67	70	74	77		
	0.3		N.A.	43	48	52	59	63	66	71	74		
	0.1		N.A.	38	44	48	54	59	63	68	71		
0.0	0.0	0.0	N.A.	34	38	42	48	52	55	59	62		
			SHR NOM=1.75			SHR MAX=1.77			SHR MAX				
			TR=2.25										

Mounting



Lighting Data



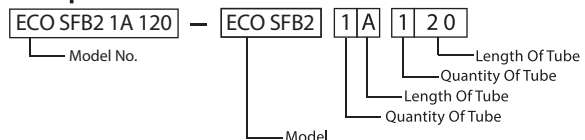
Specifications

Model	ECO SFB2 1A 120	ECO SFB2 2A 220	ECO SFB2 1C 140	ECO SFB2 2C 240
Nominal Power	8.5W	17W	18W	36W
Nominal System Lumen Output	1050 lm	2100 lm	2100 lm	4200 lm
Nominal System Efficacy	124 lm/W	124 lm/W	117 lm/W	117 lm/W
Light Source	SJ Lite T8 LED Glass Tube (HO)			
LED Tube Size	Ø28-589mm		Ø28-1199mm	
Colour Temperature (CCT)	3000K/4000K/6500K			
Input Voltage	220-240V~50/60Hz			
Colour Rendering Index (CRI)	80			
Luminaire Rated Life	50,000hrs (L70B50)			
Operating Temperature	-20°C ~ +45°C			
Power Factor	0.9PF			
Total Harmonic Distortion	≤20%			
Insulation Class	Class I			
Housing Material	Cold Roll Steel			
Ingress Protection	IP20			

Order Reference

Model	Quantity Of Tube	Length Of Tube
ECO SFB2	1	A (2ft)
	2	C (4ft)
	3	D (5ft)
	4	

Example :



Order Information

Model No.	No. Of Lamp	L(mm)	W(mm)	H(mm)
ECO SFB2 1A 120	1	614	51	61
ECO SFB2 2A 220	2	614	100	66
ECO SFB2 1C 140	1	1223	51	61
ECO SFB2 2C 240	2	1223	100	66

Note : Subject to +/- 1.5mm

*Other various types are available upon request.

Dimensions

