

PLUTO LED

SL 189 Downlight Series

Features

Designed for recess mounting ceiling with better glare control. Tool free assembly, simple as push and rotate.

Applications

Ideal for commercial building, offices, conference room, classrooms, shops and etc.

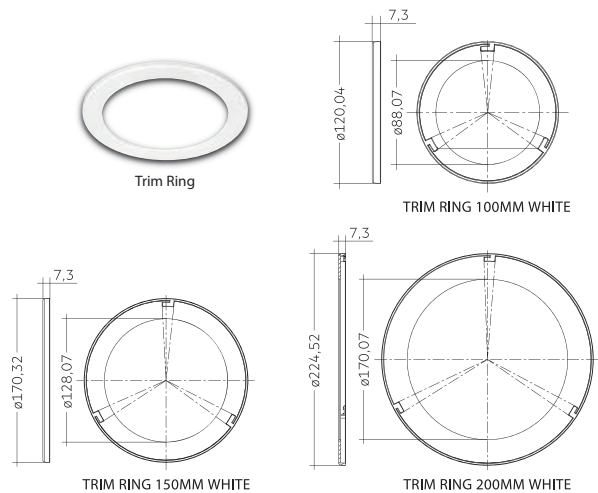
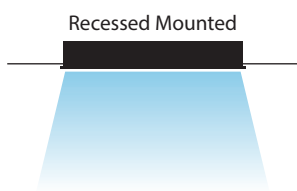
Optics

Reflector Material	Aluminium Reflector
Beam Angle	60° / 90°

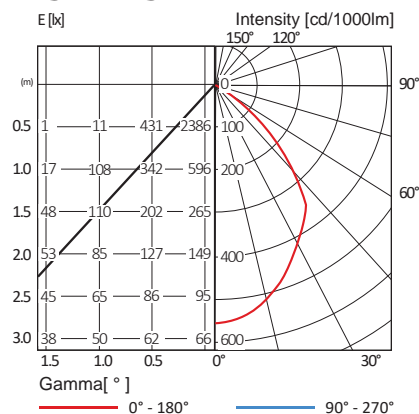
Optional Features / Accessories

Dali/1-10V Dimming Control
Trim Ring
Reflector 60D
Reflector 90D

Mounting



Lighting Data



IES file No: SJ6098



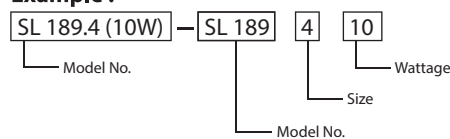
Specifications

Model	SL 189.4 (10W)	SL 189.6 (10W)	SL 189.6 (20W)	SL 189.8 (20W)	SL 189.8 (30W)
Nominal Power	10W	10W	20W	20W	30W
Nominal System Lumen Output	1110 lm	1120 lm	2210 lm	2250 lm	3180 lm
Nominal System Efficacy	111 lm/W	112 lm/W	111 lm/W	113 lm/W	106 lm/W
LED Driver	Tridonic DLA ECG				
Light Source	Tridonic DLA				
Colour Temperature (CCT)	3000K/4000K/6500K				
Input Voltage	240V~50Hz				
Colour Rendering Index (CRI)	>80				
Luminaire Rated Life	50,000hrs (L70B50)				
Operating Temperature	-20°C ~ +40°C				
Power Factor	>0.9PF				
Total Harmonic Distortion	≤20%				
Insulation Class	Class II				
Housing Material	Aluminium				
Ingress Protection	IP20				

Order Reference

Model	Size	Wattage
SL 189	4	10
	6	20
	8	30

Example :



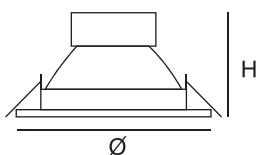
Order Information

Model No.	Ø(mm)	H(mm)
SL189.4 (10W)	120	85
SL189.6 (10W)	170	115
SL189.6 (20W)	170	115
SL189.8 (20W)	225	135
SL189.8 (30W)	225	135

Note : Subject to +/- 1.5mm

*Other various types are available upon request.

Dimensions



SL 189.4 - 105 ± 2mm
SL 189.6 - 145 ± 2mm
SL 189.8 - 190 ± 2mm